

YGST grille



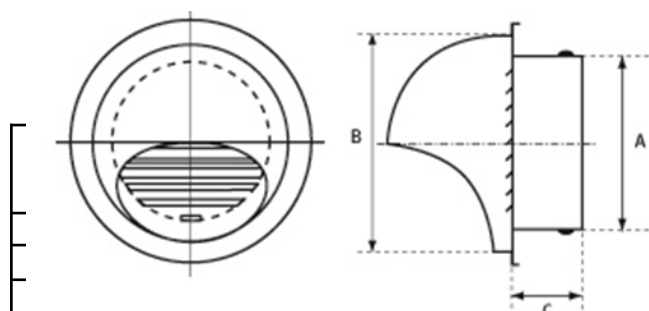
Characteristics:

- May work as intake or exhauster
- made by CrNi steel - no corrosion
- not painted
- cover secure against weather's conditions
- high quality and new design
- fast and easy assembling

Material:

CrNi steel

Drawings:



YGST-200	200	195	253	62
YGST-250	250	247	295	72



When ordering, please state:

Art.No. _____ YGST _____ 100

Product _____

Dimension (mm) _____